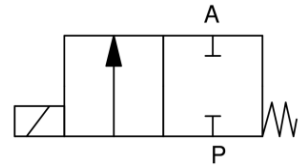
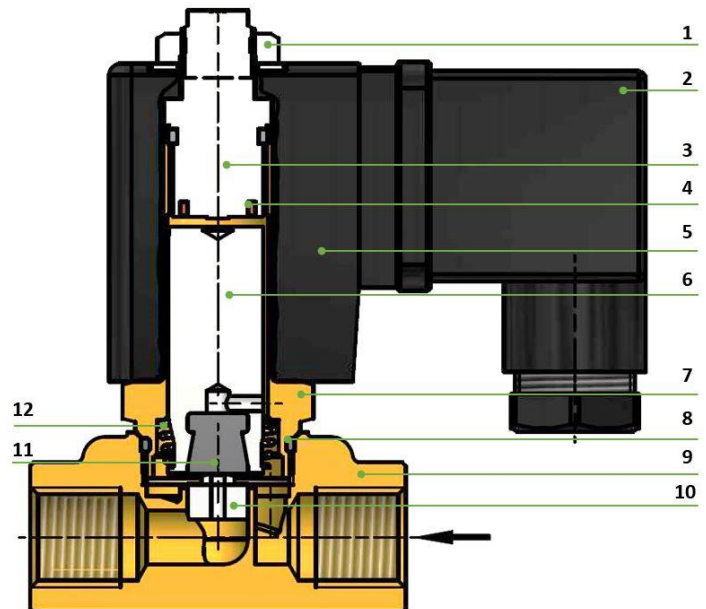


Normal position	NC
Housing	Brass (CW614N)
Valve seat	Stainless steel
Ambient temperature	-20 °C to 55 °C
Medium temperature	-15 °C to 100 °C (FPM) -20 °C to 85 °C (NBR)
Mounting position	Solenoid preferably in upright position
Protection IP	IP 65 (with connector socket fitted)
Electrical connection	Connector socket acc. to DIN EN 175301-803 standard type A
Voltage tolerance	± 10% acc. VDE 0580
Power	230V 50Hz: 17.6VA 110V AC: 17.6VA 24V AC: 17.6VA 24V DC: 15W 12V DC: 15W
Duty cycle	100% ED



Materials

No.	Part	Material
1	Nut	Galvanised steel
2	Connector socket	Plastic
3	Pole core	Stainless steel
4	Short circuit ring	Copper
5	Solenoid	Plastic cover
6	Plunger	Stainless steel
7	Guide tube	Brass
8	O-Ring	FPM/NBR
9	Housing	Brass
10	Seat nozzle	Stainless steel
11	Sealing plug seat	FPM/NBR
12	Spring	Stainless steel



P 3-539 e

2/2-way solenoid valves

directly operated
professional standard series
Art. No. 129295 to 129304



Solenoid valve, normally closed, directly operated, alternating current

Art. No.	Type No.	Thread	DN	Voltage	Sealant	Operating pressure bar	Flow rate l/min
129295	MVA.14.MS.230.F.RD.3	G 1/4	3	230V AC	FPM	0 - 20	3.7
129296	MVA.14.MS.230.F.RD.4	G 1/4	4	230V AC	FPM	0 - 10	6.5
129301	MVA.14.MS.230.N.RD.3	G 1/4	3	230V AC	NBR	0 - 20	3.7
129302	MVA.14.MS.230.N.RD.4	G 1/4	4	230V AC	NBR	0 - 10	6.5
129305	MVA.14.MS.24A.N.RD.3	G 1/4	3	24V AC	NBR	0 - 20	3.7
129306	MVA.14.MS.24A.N.RD.4	G 1/4	4	24V AC	NBR	0 - 10	6.5
129307	MVA.14.MS.110.N.RD.3	G 1/4	3	110V AC	NBR	0 - 20	3.7
129308	MVA.14.MS.110.N.RD.4	G 1/4	4	110V AC	NBR	0 - 10	6.5

Solenoid valve, normally closed, directly operated, direct current

Art. No.	Type No.	Thread	DN	Voltage	Sealant	Operating pressure bar	Flow rate l/min
129297	MVA.14.MS.24D.F.RD.3	G 1/4	3	24V DC	FPM	0 - 16	3.7
129298	MVA.14.MS.24D.F.RD.4	G 1/4	4	24V DC	FPM	0 - 8	6.5
129299	MVA.14.MS.12.F.RD.3	G 1/4	3	12V DC	FPM	0 - 16	3.7
129300	MVA.14.MS.12.F.RD.4	G 1/4	4	12V DC	FPM	0 - 8	6.5
129675	MVA.14.MS.12.N.RD.3	G 1/4	3	12V DC	NBR	0 - 16	3.7
129309	MVA.14.MS.12.N.RD.4	G 1/4	4	12V DC	NBR	0 - 8	6.5
129303	MVA.14.MS.24D.N.RD.3	G 1/4	3	24V DC	NBR	0 - 16	3.7
129304	MVA.14.MS.24D.N.RD.4	G 1/4	4	24V DC	NBR	0 - 8	6.5

